

Quotation Request (EXISTING GUTTER DETAILS) Domestic Sectional Concrete Gutters

To enable us to provide you with an accurate written quotation, please let us have the following information.

Name Company

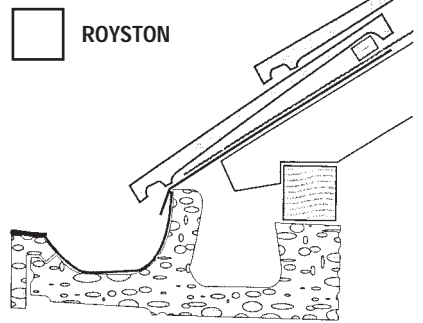
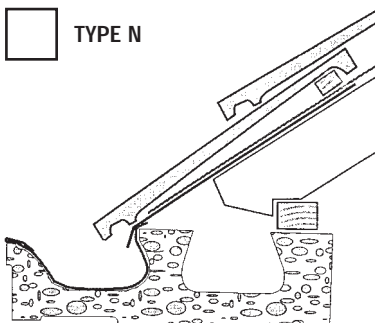
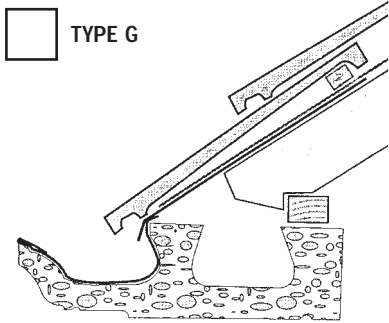
Address

Postcode

Tel No Fax No Email

PROFILE OF GUTTER

Tick the profile of the existing gutter from the 3 most common types shown here:



If the existing gutter is different from these please sketch the profile here:

Whichever type you have indicated please send us a cardboard template of the gutter profile. This will assist us in working out your quotation and is very important where moulded corners are required.

PLAN VIEW OF GUTTER

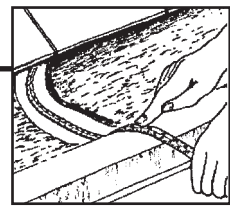
Sketch a plan view of the gutter layout with measurements of the gutters to be lined.

Total length of seamless new gutter lining required:

.....

The inside girth measurement of the original concrete gutter with any old bitumen or lining material removed:

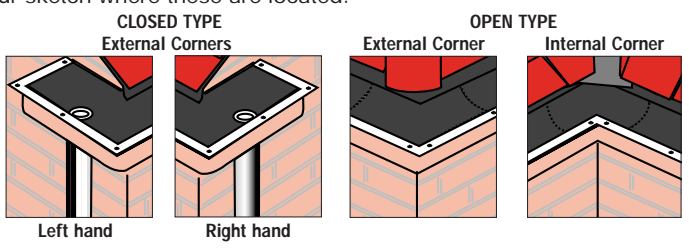
.....



CORNER INSERTS

Looking at your plan view, work out how many Internal and External Corner Inserts you require and whether they are open or closed. If the corners are different from those illustrated here, please indicate on your plan view - the type, measurements and inside profile. If downspouts are positioned in the corners, please indicate on your sketch where these are located.

	Number Required
Internal Corners
External Corners - closed (Right hand)
External Corners - closed (Left hand)
External Corners - open



BOUNDARY TERMINATION JOINTS

If the Gutterline[®] is not intended to serve the entire building, show termination points on the plan view above.

Number of Boundary Termination Joints

If liner is to be terminated, is the adjacent gutter already lined?
 YES NO

If YES, please give details of existing liner

VENT PIPES

Are there any vent pipes? (Indicate on plan view)

If YES, how many? Outside diameter of vent pipes
 We recommend that vent pipes be removed from the gutter and swan necked around the front of the gutter (sketch not necessary).

OUTLETS (INDICATE ON PLAN VIEW)

Number of outlets?

Inside diameter of outlets?

Post or fax the completed form along with any additional sheets to H D Sharman Ltd. If you have any queries please do not hesitate to contact us and we will be happy to discuss them with you.