

QUOTATION REQUEST

FINLOCK - DOMESTIC CONCRETE GUTTERS

To enable us to provide you with an accurate written quotation, please supply the following information.

Name : Company :

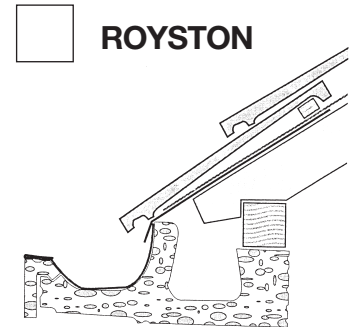
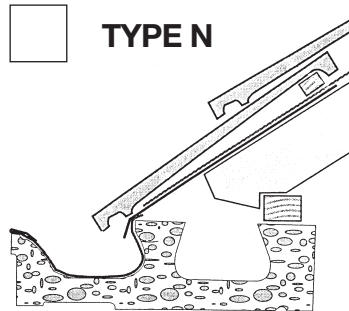
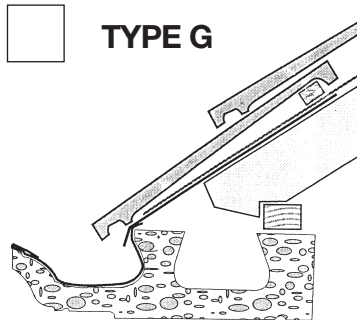
Address :

Postcode :

Tel No : Fax No : Email :

Profile of gutter

Tick the profile of the existing gutter from the 3 most common types shown here:



Whichever type of profile you have indicated please send a cardboard template of the gutter profile. This will assist us in working out your quotation and is very important where moulded corners are required

If the existing gutter is different from the above profiles please sketch here:



For more information visit www.hdsharman.co.uk

H D Sharman Ltd, High Peak Works, Chapel-en-le-Frith, Derbyshire. SK23 0HW
T. 01298 812371 | F. 01298 812237 | E. info@hdsharman.co.uk



Manufactured Exclusively by H D Sharman Ltd

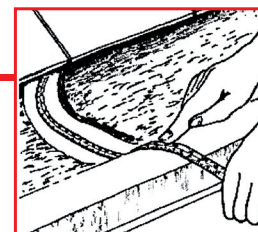
Plan view of gutter - Sketch a plan view of the gutter layout with measurements of the gutters to be lined

Total length of seamless new gutter lining required:

.....

The inside girth measurement of the original concrete gutter with any old bitumen or lining material removed:

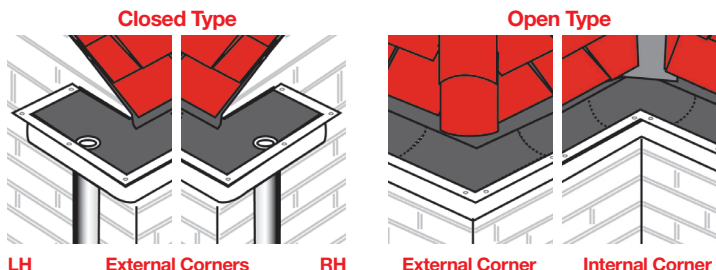
.....



Corner Inserts

Looking at your plan view, work out how many Internal and External Corner Inserts you require and whether they are open or closed. If the corners are different from those illustrated here, please indicate on your plan view - the type, measurements and inside profile. If downspouts are positioned in the corners, please indicate on your sketch where these are located.

	Number Required
Internal Corners
External Corners - closed (Right hand)
External Corners - closed (Left hand)
External Corners - open
Ends - use against chimney abutments (RH)
Ends - use against chimney abutments (LH)



Boundary Termination Joints

If the Gutterline is not intended to serve the entire building, show termination points on the plan view above.

Number of Boundary Termination Joints
.....

If the liner is to be terminated, is the adjacent gutter already lined?

Yes No

If YES, please give details of existing liner
.....
.....

Vent Pipes - Are there any vent pipes? (Indicate on Plan View)

If YES, how many?

Outside diameter of vent pipes

We recommend that vent pipes be removed from the gutter and swan necked around the front of the gutter (sketch not necessary)

Outlets (Indicate on Plan View)

Number of outlets?

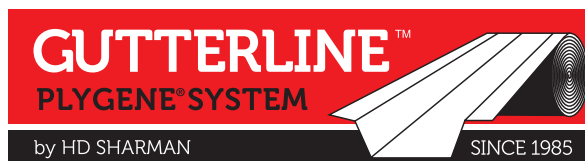
Inside diameter of outlets?

Post Fax or email your completed form along with any additional sheets to HD Sharman Ltd



For more information visit
www.hdsharman.co.uk

H D Sharman Ltd, High Peak Works, Chapel-en-le-Frith, Derbyshire. SK23 0HW
T. 01298 812371 | F. 01298 812237 | E. info@hdsharman.co.uk



Manufactured Exclusively by H D Sharman Ltd