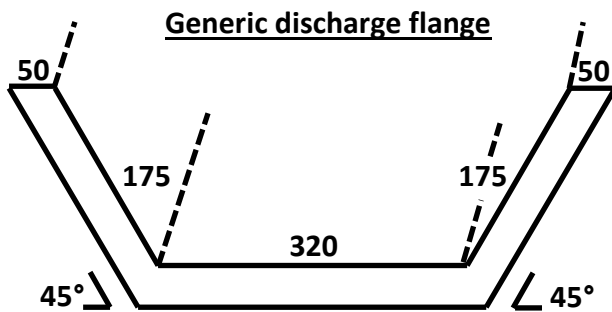


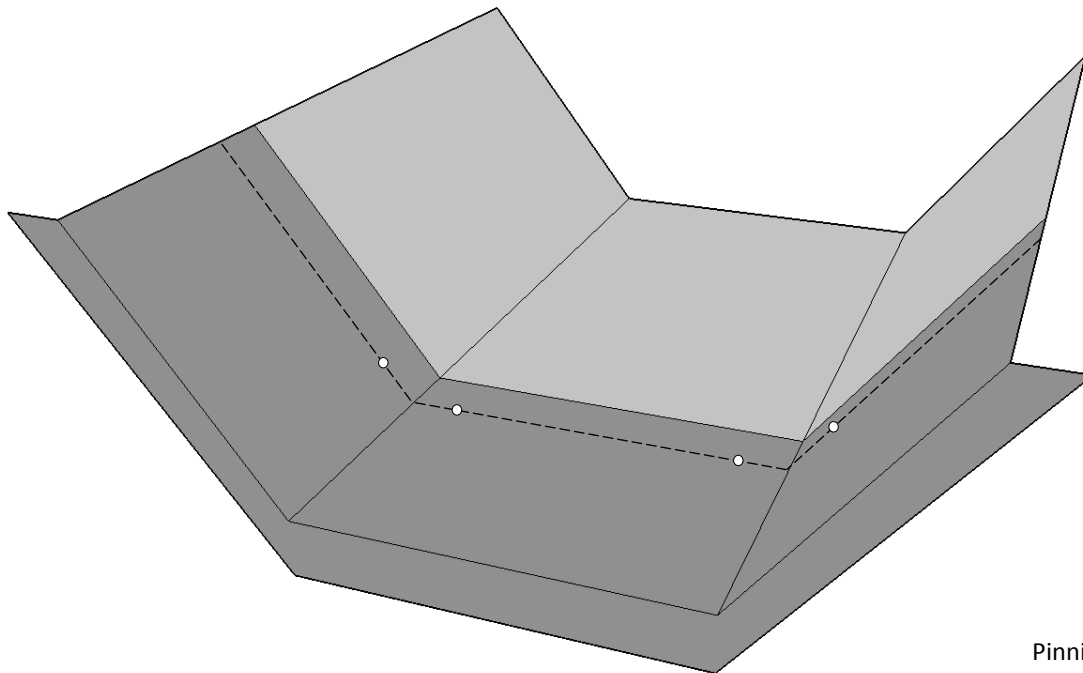


Technical Data Sheet

Bespoke moulded discharge flange (MWDF)



Liner pinned and fixed before hot air welding of the discharge flange



Pinning region -----

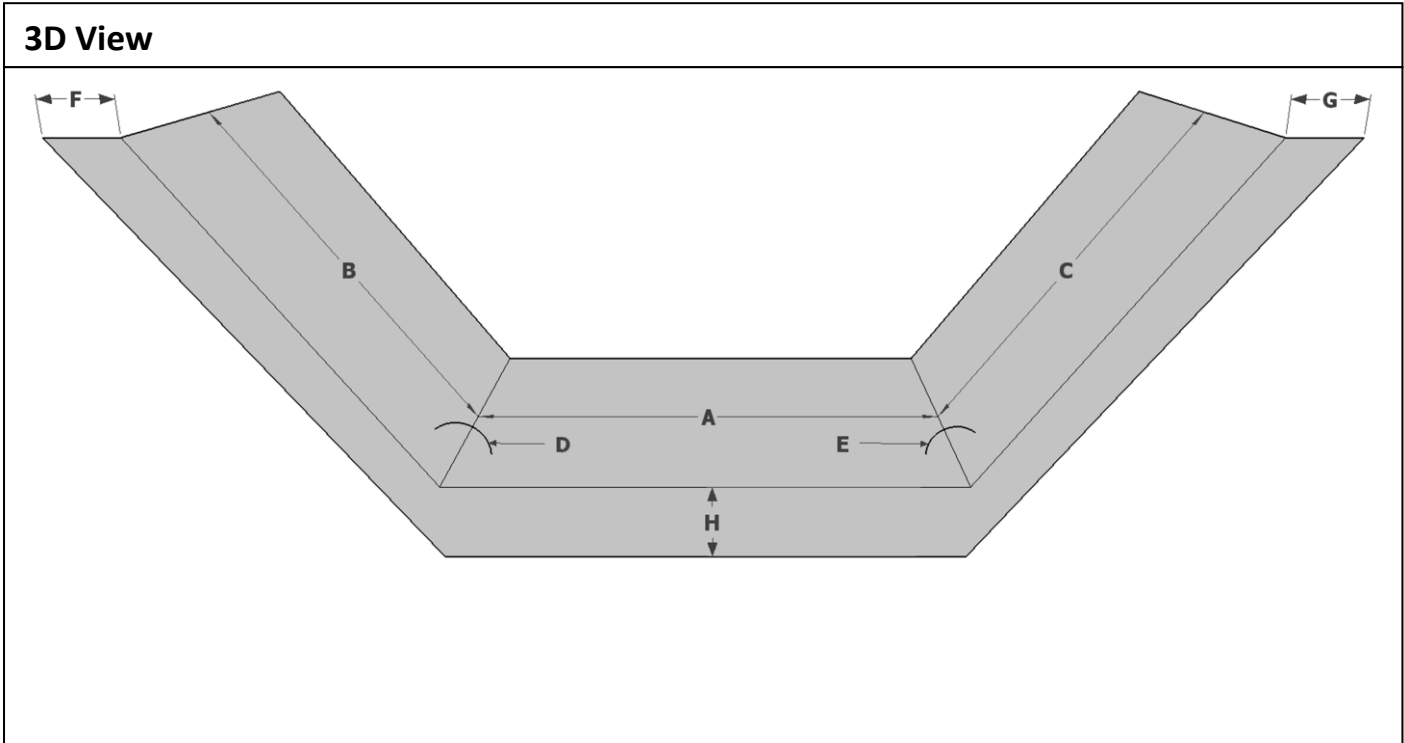
Fixings specification engineered for gutter substrate type

Substrate	Product code	Pilot hole (if required)	Drill speed
STEEL < 3mm	HDS-LS-30	N/A	0-2000rpm – Can be full speed
STEEL > 3mm	HDS-HS-40	N/A	0-2000rpm – Can be full speed
CONCRETE	HDS-CON-45	5mm Diameter	0-950rpm – Typically 750Watt
ASBESTOS	HDS-ASB-38	9.5mm Diameter	Set to lowest speed

When drilling holes in asbestos cement and other highly bonded materials. Please refer to the current health & safety guide. 4 fasteners as illustrated above – Further fixings may be required within the pinning regions identified above in accordance with the '200 rule.'

'200 rule' – The maximum permitted gap between fixings within the pinning region is 200mm. E.g. a 300mm gap between fixings should be bisected at 150mm (1 additional fixing), or a 600mm gap should be bridged with 2 additional fixings, one at 200mm then one at 400mm.

Item description: Bespoke moulded discharge flange		
Component ref: MWDF	Item ref:	Gutter ref:
Company/Customer name:		
Job reference:		
Customer order number:	Quantity:	



Where items are flanged, these flanges are manufactured to company standard sizes. Other sizes are available upon request.

Dimensions			
A	=	mm	F = mm
B	=	mm	G = mm
C	=	mm	H = mm
D	=	° Angle	
E	=	° Angle	

Office use	
Order number	Page of
Made by	Date