



Seamsil® 100

Cut edge corrosion 15 year guarantee

Preparation

All Edges

Loose and flaking coatings should be removed to make a sound feathered edge.

Remove all rust and white (zinc) salts, by thoroughly cleaning/ abrading to Swedish Standard ST3. Ensure the surface is fully keyed and not polished.

All debris, including any grinding swarf and non adherent staining must be removed prior to application.

Ensure all surfaces to be treated are dry by using a mechanically driven leaf blower before the application of Sharmans products.

Thoroughly clean the surface using Isopropyl Alcohol.

Note: Do not at any time clean the surface with soap detergent. This action would leave a residual film and may adversely affect the adhesion of Seamsil®.

Additional Preparation for Overlaps

Check existing overlaps for excessive movement and insert additional fixings as necessary.

If the gap between the sheets is greater than 5mm a stitcher screw or rivet should be used to close the sheets together.

Where there are small perforations (up to 15mm in diameter) in the areas to be treated, Seamsil® Sealant can be gunned into the hole and tooled off to a smooth edge. Any perforations larger than this can be either cut away provided this doesn't affect the structural integrity of the affected sheet, or can be covered by riveting a metal plate into place sealing the edges using Seamsil® Sealant.

Dry the lap using a mechanically driven leaf blower ensuring the area between the sheets is thoroughly dry.

Note: This is an outline specification for the general application of this system. For a bespoke specification to deal with site complexities, please contact us.

Product Application

Seamsil® Sealant

To Overlaps, Ridge / Flashing Joints & Tops Of Rooflights

Seamsil® Sealant is gun-applied into the gap between the upper and lower roof sheets, as close to the edge of the upper sheet as possible, forming a complete bridged seal. Seamsil® base coat should then be applied immediately as detailed below.

The Seamsil® system may also be used on the vertical lap joints if the roof suffers from water ingress due to incorrect lap formation.

Seamsil® Base Coat

Seamsil® base coat should be applied at least 25mm above the edge of the roof sheet or either side of the overlap, and where applicable a further 10mm beyond the prepared exposed metal to ensure complete coverage.

For neat aesthetics, the coating should be applied in a straight line. To aid this, a pencil line or a straight edge can be used.

At Overlaps

Whilst the Seamsil® Sealant is still wet, apply Seamsil® Base Coat by brush at a minimum wet film thickness of 220 microns. Work in a smooth upward motion over the sealant, ensuring complete coverage of all exposed and prepared metal. Allow to cure to a tack free state.

The finished Seamsil® treatment must form a fillet across the joint that visually obscures the leading edge of the top sheet.



Seamsil® 100

Cut edge corrosion 15 year guarantee

At All Other Edges

Apply Seamsil® Base Coat by brush at a minimum wet film thickness of 220 microns, ensuring complete coverage of all exposed and prepared metal, and encapsulating the sheet edge. Allow to cure to a tack free state.

Seamsil® Top Coat

Seamsil® Top coat should be applied in a contrasting colour to the base Coat, ideally similar to the existing roof sheets. Top coat application should cover entirely, and extend beyond the base coat by a further 10mm.

For neat aesthetics, the coating should be applied in a straight line. To aid this, a pencil line or a straight edge can be used.

At Overlaps

Apply Seamsil® Top Coat by brush at a minimum wet film thickness of 220 microns. Ensure complete coverage of the basecoat application. Allow to cure to fully cure.

At All Other Edges

Apply Seamsil® Top Coat by brush at a minimum wet film thickness of 220 microns. Ensure complete coverage of the basecoat application. Allow to cure to fully cure.

The Completed System Dry Film Thickness:

All areas: minimum 350 microns

Application Notes

At all times ensure that the surface to be treated is clean and dry.

All swarf arising out of the metal preparation must be immediately brushed off the surface to avoid contamination of coated areas and existing surface coatings.

Failure to remove the swarf could result in subsequent rust staining by the debris arising out of the metal preparation operation.

Seamsil® base coat may be thinned by up to 5% to ease application. Only use Seamsil® thinners T514.

Note: White Spirit is strictly not to be introduced into the application system. This will adversely affect adhesion and invalidate the material guarantee.

Care must be taken not to disturb the uncured Seamsil® seal to the sheet joints once applied.

Allow each coat to cure until a tack free state is achieved before applying further coats. Curing times will vary with weather conditions. Refer to product data sheets.

Application air temperature must be above 3°C.

Application surface temperature must be 2°C above dew point.

Always allow for expanded sheet profile, when estimating material quantities.

The installing contractor must be fully trained in the use of Sharmans coatings.

It is the contractors' responsibility to inspect each section of the application to ensure the correct measures and steps outlined in this specification document are applied.

Product coverage rates are for guidance purposes only.

Disclaimer: The information, and, in particular, the recommendations relating to the application and end-use of products, are given in good faith based on current knowledge and experience of the products when properly stored, handled and applied under normal conditions. In practice, the differences in materials, substrates and actual site conditions are such that no warranty in respect of merchantability or of fitness for a particular purpose, nor any liability arising out of any legal relationship whatsoever, can be inferred either from this information, unless from any written recommendations, or from any other advice offered by HD Sharman. The proprietary rights of third parties must be observed. All orders are accepted subject to our current terms of sale and delivery. Users must always refer to the most recent issue of the Product Data Sheet for the product concerned, copies of which will be supplied on request.

HD Sharman Ltd.
High Peak Works
Chapel-en-le-Frith
High Peak, Derbyshire
SK23 0HW

T. 01298 812371
F. 01298 812237
E. info@hdsharman.co.uk
W. hdsharman.co.uk



sharmans
gutter & roof refurbishment systems

Seamsil

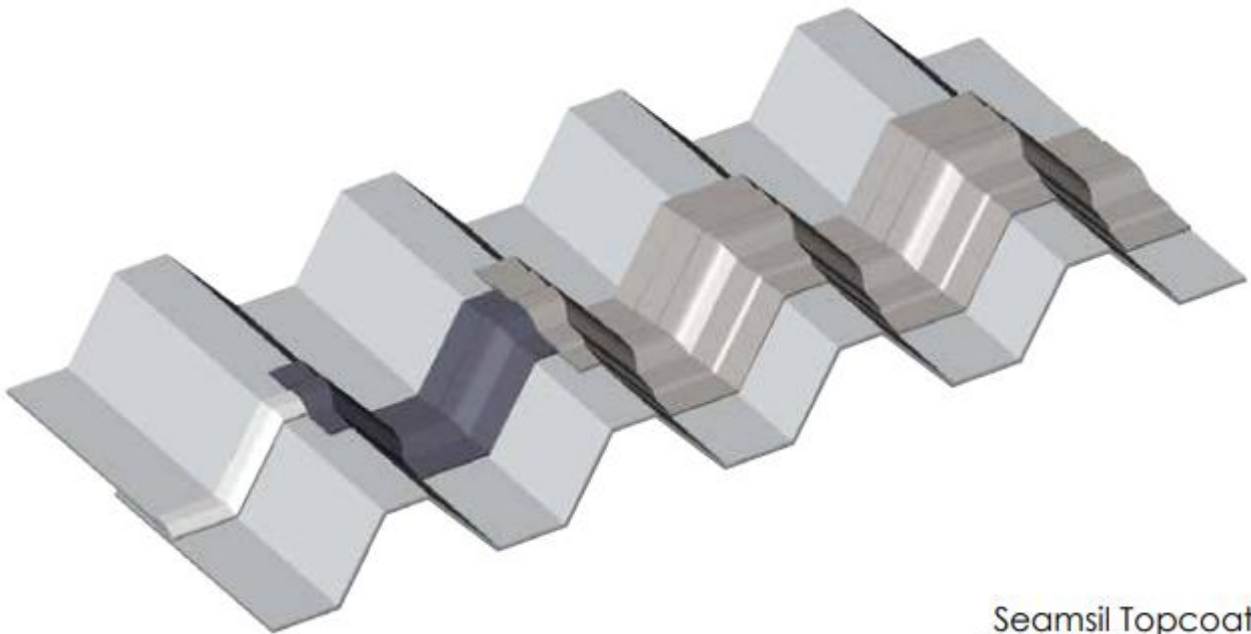
Seamsil Sealant



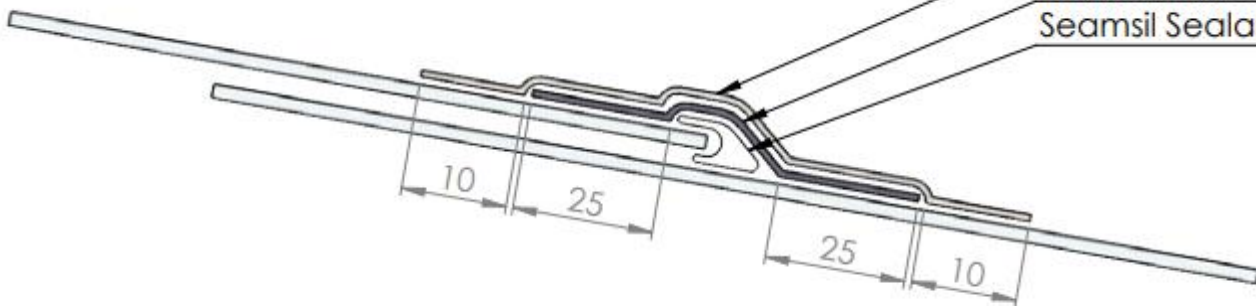
Seamsil Basecoat



Seamsil Topcoat



Seamsil Topcoat
Seamsil Basecoat
Seamsil Sealant



Seamsil Basecoat

Minimum 25mm past the Sealant and at least 10mm past the affected prepared area.

Seamsil Topcoat

Minimum 10mm past the Basecoat.



sharmans

gutter & roof refurbishment systems

Notes:

Date Drawn: 06/04/2018

Page 1 of 1