

Seamsil® 100

Cut edge corrosion 15 year guarantee

Application Notes

Note: White Spirit is strictly not to be introduced into the application system. This will adversely affect adhesion and invalidate the material guarantee.

With the exception of Seamsil Topcoat, Seamsil may be thinned by up to 5% to ease application. Use only Seamsil thinners T514.

Care must be taken not to disturb the uncured seal. All swarf arising out of the metal preparation must be immediately brushed off the surface to avoid contamination of coated areas and existing surface coatings. Failure to remove the swarf could result in subsequent rust staining by the debris arising out of the metal preparation operation.

At all times ensure that the surface to be treated is dry, clean and that the air temperature is above dew point and on a rising thermometer.

Always allow for expanded sheet profile, when estimating material quantities.

The installing contractor must be fully trained in the use of Sharmans coatings.

It is the contractors' responsibility to inspect each section of the application to ensure the correct measures and steps outlined in this specification document are applied.

Coverage rates are for guidance purposes only.

Disclaimer:

The information, and, in particular, the recommendations relating to the application and end-use of products, are given in good faith based on current knowledge and experience of the products when properly stored, handled and applied under normal conditions. In practice, the differences in materials, substrates and actual site conditions are such that no warranty in respect of merchantability or of fitness for a particular purpose, nor any liability arising out of any legal relationship whatsoever, can be inferred either from this information, unless from any written recommendations, or from any other advice offered by HD Sharman. The proprietary rights of third parties must be observed. All orders are accepted subject to our current terms of sale and delivery. Users must always refer to the most recent issue of the Product Data Sheet for the product concerned, copies of which will be supplied on request.

HD Sharman Ltd.
High Peak Works
Chapel-en-le-Frith
High Peak, Derbyshire
SK23 0HW

T. 01298 812371
F. 01298 812237
E. info@hdsharman.co.uk
W. hdsharman.co.uk



sharmans
gutter & roof refurbishment systems

Seamsil

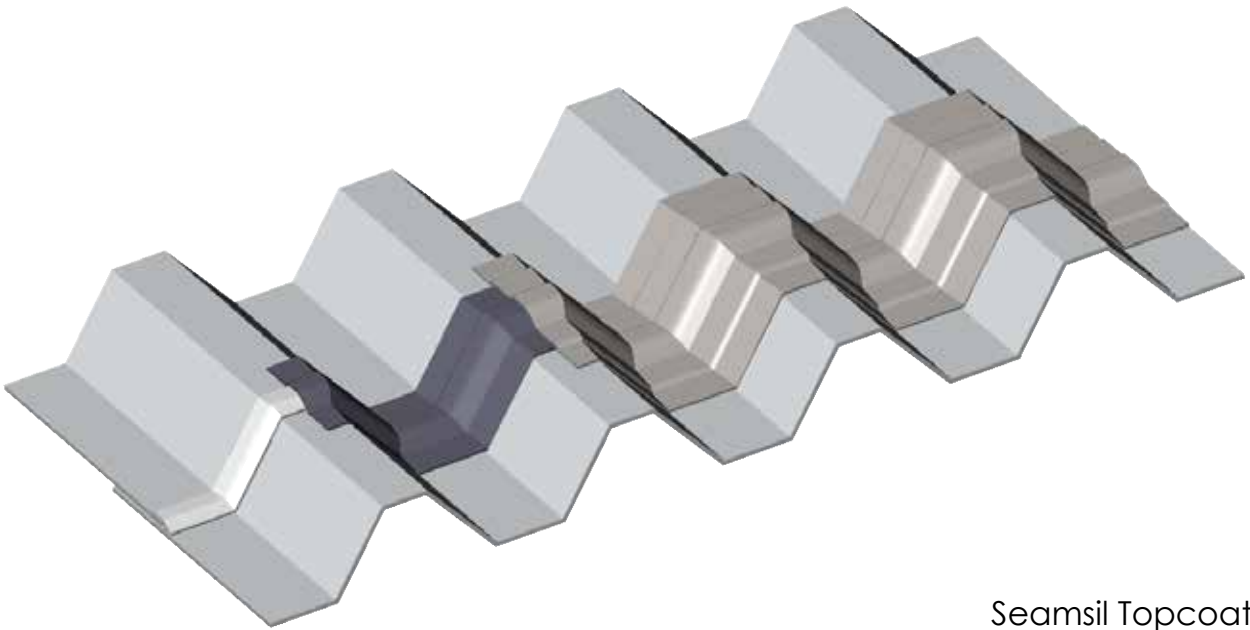
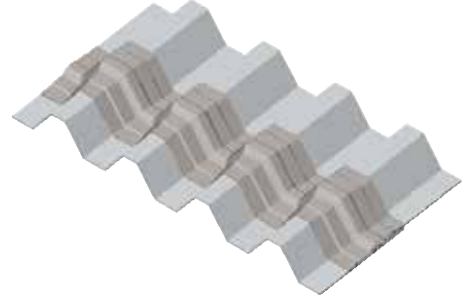
Seamsil Sealant



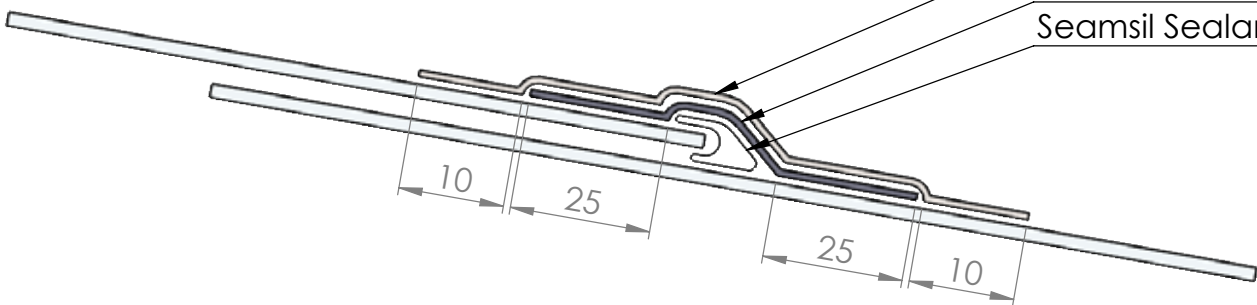
Seamsil Basecoat



Seamsil Topcoat



Seamsil Topcoat
Seamsil Basecoat
Seamsil Sealant



Seamsil Basecoat

Minimum 25mm past the Sealant and at least 10mm past the affected prepared area.

Seamsil Topcoat

Minimum 10mm past the Basecoat.



sharmans

gutter & roof refurbishment systems

Notes:

Date Drawn: 06/04/2018

Page 1 of 1